

## Series LA 11 Single Phase Hopper Loader (one- or two material components)

for automatic transport of free flowing materials  
with bulk density of 0,4... 0,8 kg/Litre and max. temp. 80 °C



LA 11 - K1

LA 11 - N1

LA 11 - N2

### Standard features:

- ✓ Stainless steel construction
- ✓ Automatic filter cleaning
- ✓ Use-related optimizeable conveyor processes by microprocessor control

### Option:

- Empty suction of product pipe
- Alarm output, alarm lamp
- Quick couplings in suction and product pipe
- Time relais for grinder suction pipe
- High temperature version up to 160 °C
- Upper top openable

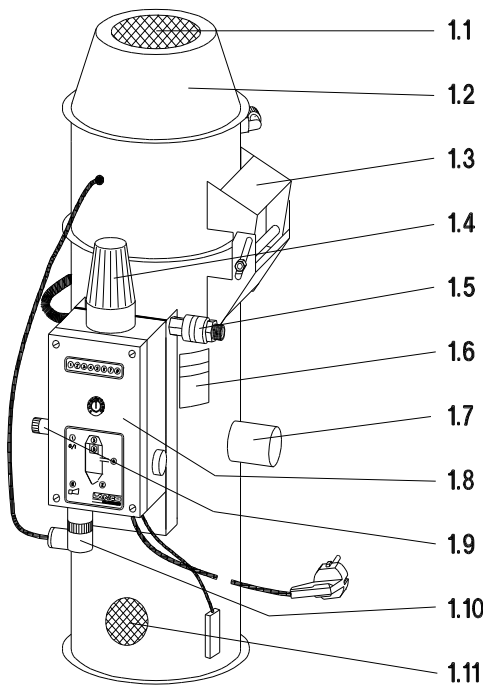
## Series LA 11

Model	Art. No.	Throuput*	Distance* horizontal/vertical	Volume	Components	Filtercleaning	Height	Weight
LA 11 - K 1	1002.08	15 kg/h	10 m / 3 m	1,6 l	1	Compressed Air	520 mm	10 kg
LA 11 - N 1	1003.08	30 kg/h	10 m / 3 m	2,5 l	1		650 mm	11 kg
LA 11 - N 2	1021.08	30 kg/h	10 m / 3 m	2,5 l	2		650 mm	13 kg

\* With information it concerns the maximum values dependent on product which are not at the same time accessible..

Drive: Single Phase Motor 1100 Watt  
Voltage: 230 V AC, 50 Hz  
Protection class: IP 30/Steuerung IP 64

Pipe diameter: 40  
Compressed air: 4 - 6 bar 10/8 mm  
Noise level: L PA, 1 m <83 dB



### Function:

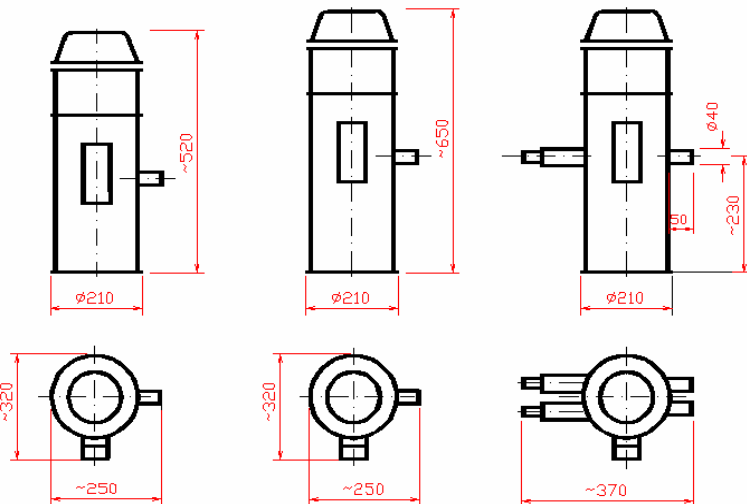
Every conveyor cycle begins with the cleaning of the filter by air pressure. The turbine generates subpressure in the hopper loader, the outlet flap shuts, and in the product pipe will be a maelstrom. From the suction place material and air flows out in the separator. There, product and air separate. The product retreats, while the air is sucked by a filter outwardly.

With the two components hopper loader it is promoted alternately by suction place 1 and suction place 2.

At the end of the opposed whole conveyor time the turbine switches off itself. A pressure balance occurs in the separator. The outlet flap opens and the material leaves. A magnet counter in the outlet flap initiates the next conveyor process.

The hopper loader feed so long, until the container is filled under the outlet flap and the piled up material a closing of the flap prevented.

- 1.1 Air outlet
- 1.2 Cover
- 1.3 hinge (option)
- 1.4 Alarm lamp (option)
- 1.5 compressed air connection (option)
- 1.6 Name plate
- 1.7 Material inlet
- 1.8 Control panel
- 1.9 Alarm output(option)
- 1.10 Power connecting motor
- 1.11 Shim hole



### Option:

High temperature version up to 160° C  
LA 11 – N1 HT / Art.Nr. 1359.08  
LA 11 – N2 HT / Art.Nr. 1785.08

### Lanco GmbH

Moselstrasse 56-58  
D-63452 Hanau  
Tel: +49 (0) 6181 91600 - 0  
Fax: +49 (0) 6181 91600 - 40  
www.lanco.de